



AURORA®

LMF 21, 22, 23 SINGLE STAGE END SUCTION HORIZONTAL AND VERTICAL PUMPS

INSTRUCTION AND REPAIR MANUAL

NOTE! The area between the pump and the motor is not to be used for anything else. The pump is not to be used for anything else.

THIS PAGE INTENTIONALLY LEFT BLANK

CALIFORNIA PROPOSITION 65 WARNING:

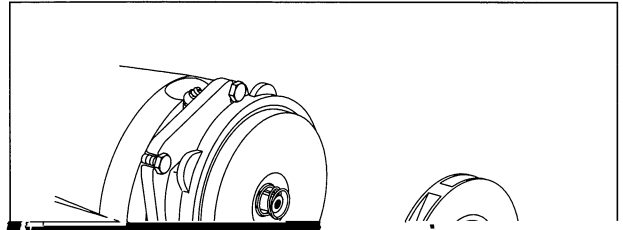
 **Warning:**

MODELS 321-323-324A

DISASSEMBLY

Refer to Figure 2 for Model 321, Figure 3 for Model 323 and Figure 4 for Model 324A at the back of this manual and the following text and disassemble only what is needed to make repairs or accomplish inspection.

NOTE
Model 324A



MODELS 321-323-324A

9. Remove coupling half, key (22) and slinger (27) from shaft

REASSEMBLY

to avoid losing them

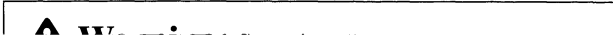
10. Unscrew lubrication fitting (23, 25, 26, 36, 38, 39, 41) as required by the particular power frame and drain.

Replace "O" ring, oil seals and gaskets. Check that all mating surfaces are free of nicks and burrs. Inspect the impeller hub

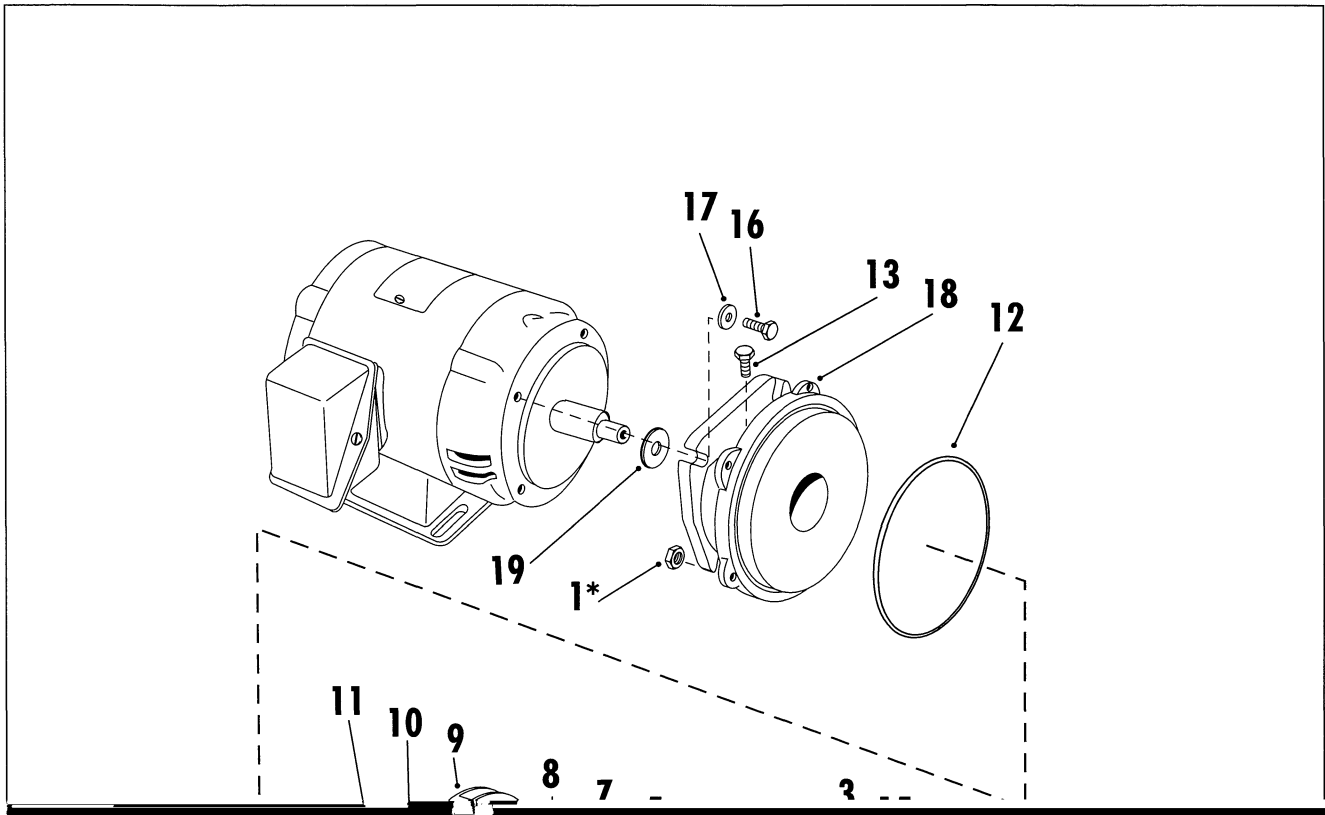
carefully for signs of excessive wear

MODELS 321-323-324A

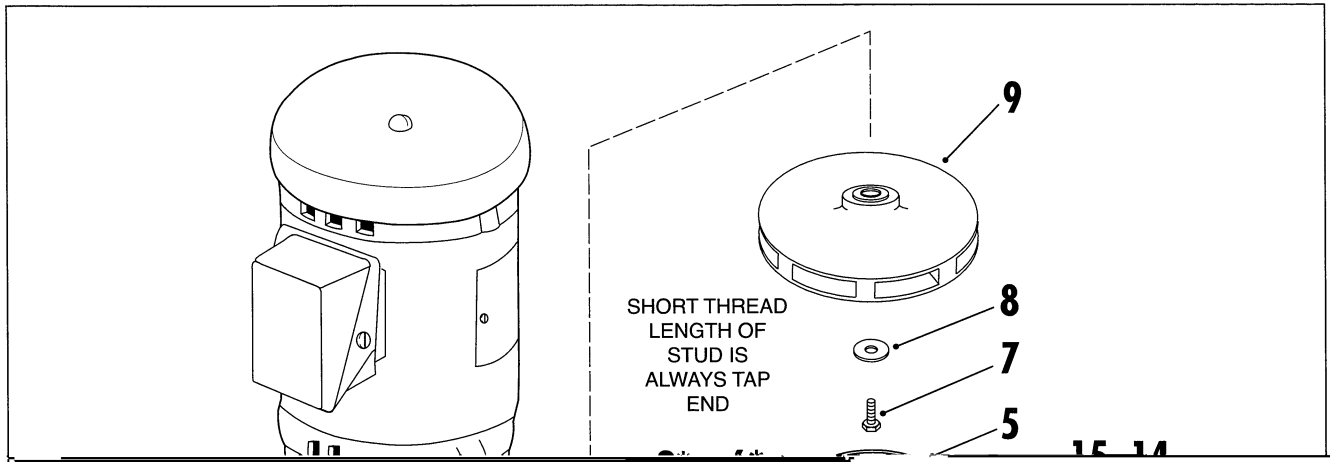
13. Install key (10) on shaft and assemble impeller (9). Be sure



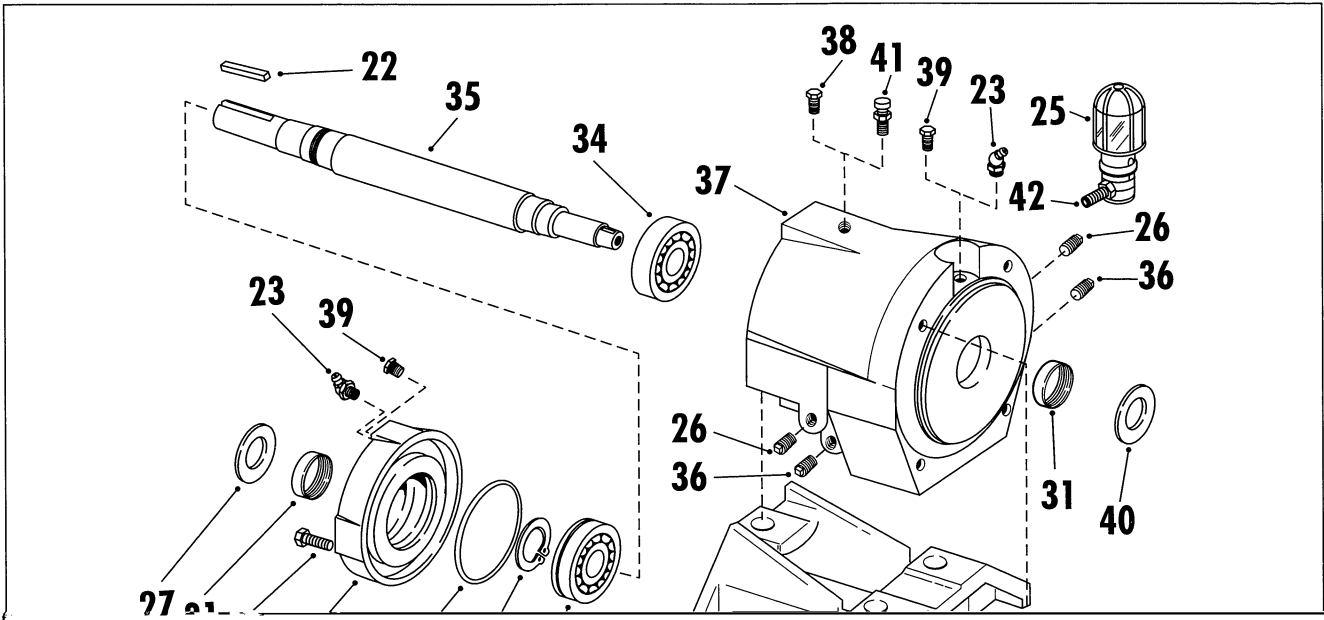
MODEL 321



MODEL 323



MODEL 324A



THIS PAGE INTENTIONALLY LEFT BLANK

