

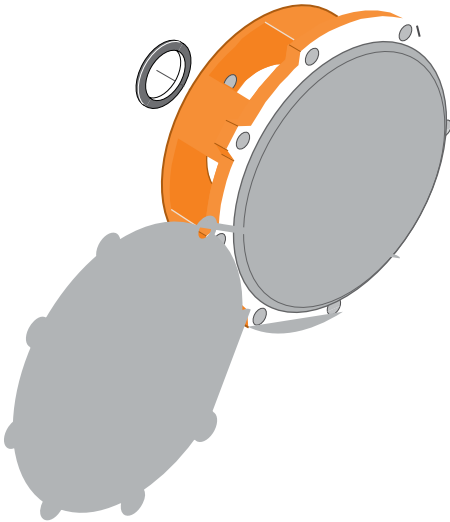
BERKELEY[®] B1WQS-9

AIR COOLED ENGINE

Cast Iron Impeller

Threaded Case (NPT), Mechanical Seal Construction

Section	AC
Page	10.1
Date	March 4, 2013
Supersedes	07/01/04



BERKELEY® B1-1/2TQMS-8

Cast Iron Impeller

Threaded Case (NPT), Mechanical Seal Construction

Section	AC
Page	20.1
Date	March 4, 2013
Supersedes	02/01/96

No. Casei409I /3TGasTwJI Twmc 01421.274 .214757ft

Item No.	Part Description	Part Number
1	Case, Volute	L01018
2	Impeller	L07723
14	Sleeve, Shaft	M10731
40	Slinger, Water	

NOTE: Refer to Supplement A for base configuration and mounting hardware.



BERKELEY® B1-1/2TQMS-9

Cast Iron Impeller

Threaded Case (NPT), Mechanical Seal Construction

Section	AC
Page	30.1
Date	March 4, 2013
Supersedes	01/04





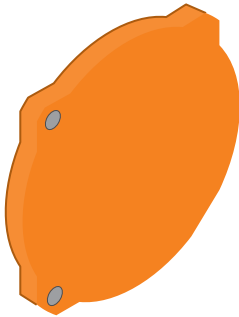


293 WRIGHT STREET, DELAVAN, WI 53115 WWW.KELEYPUMPS.COM PH: 888 237 5353 ORDERS FAX: 800 321 8793
Because we are continuously improving our products and services, Pentair reserves the right to change specifications without prior notice.

BERKELEY® B1-1/2TQMS-10 Silicon Bronze Impeller

Threaded Case (NPT), Mechanical Seal Construction

Section	AC
Page	40.3
Date	March 4, 2013
Supersedes	09/01/97



Item No.	Part Description	Part Number
1	Case, Volute	L01018
2	Impeller	L07985
14	Sleeve, Shaft	M10731
40	Slinger, Water	S03893
71	Bracket	L01600
73	Gasket	S04757
89	Seal, Mechanical Shaft	S32014
119	O-Ring	M10728
800A	Capscrew, Hex 1/2-13x1" (4 Req.)	S26912
800B	Capscrew, Hex 3/8-16x1" (4 Req.)	S26826
810	Plug, Pipe 1/4 NPT (4 Req.)	S23715

NOTE: Refer to Supplement A for base configuration and mounting hardware.



BERKELEY[®] B1-1/2TQMS-14

Cast Iron Impeller

Threaded Case (NPT), Mechanical Seal Construction

Section	AC
Page	50.1
Date	March 4, 2013
Supersedes	01/04

Item No.	Part Description	Part Number
1	Case, Volute	L01018
2	Impeller	L07511
14	Sleeve, Shaft	M10731
40	Slinger, Water	S03893
71	Bracket	L01600
73	Gasket	S04757
89	Seal, Mechanical Shaft	S32014
119	O-Ring	M10728
800A	Capscrew, Hex 1/2-13x1" (4 Req.)	S26912

NOTE: Refer to Supplement A for base configuration and mounting hardware.





293 WRIGHT STREET, DELAVAN, WI 53115 WWW.KELEYPUMPS.COM PH: 888 237 5353 ORDERS FAX: 800 321 8793
Because we are continuously improving our products and services, Pentair reserves the right to change specifications without prior notice.

BERKELEY[®] B2TQMS-14 Cast Iron Impeller

Section	AC
Page	80.1
Date	March 4, 2013
Supersedes 01/01/04	





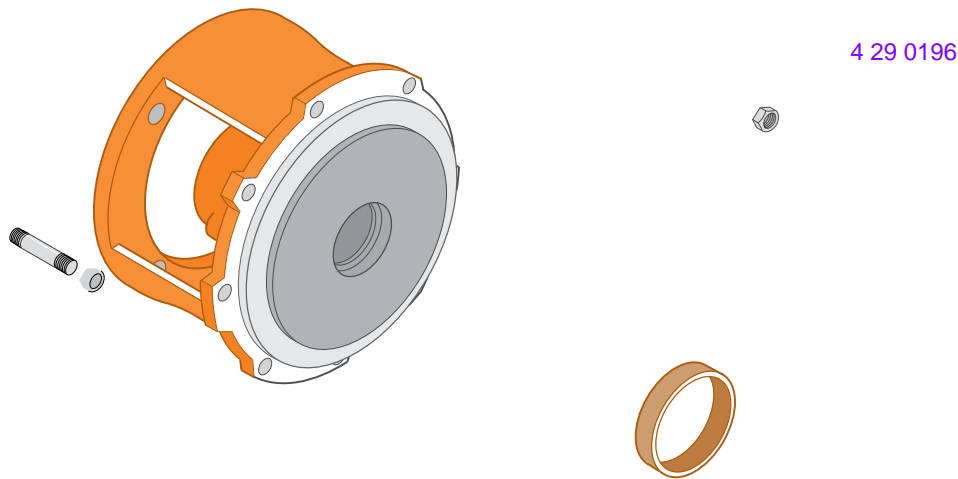


293 WRIGHT STREET, DELAVAN, WI 53115 WWW.KELEYPUMPS.COM PH: 888 237 5353 ORDERS FAX: 800 321 8793
Because we are continuously improving our products and services, Pentair reserves the right to change specifications without prior notice.

BERKELEY® B2EQLS-30 Cast Iron Impeller

Threaded Case (NPT), Mechanical Seal Construction

Section	AC
Page	100.1
Date	March 4, 2013
Supersedes	02/01/96



Item No.	Part Description	Part Number
1	Case, Volute	L03482
2	Impeller	L07642
6	Shaft, Telescope	M04932
7	Ring, Wearing	S02005
11	Retainer, Mechanical Shaft Seal	S07251
14	Sleeve, Shaft	S05149
26	Screw, Impeller 1/2-13x1-1/2"	S23621
32A	Key, 3/8x1-3/4"	S24188
32B	Key, 1/4x1-1/2"	S23505
69	Washer, Impeller	S06317
71	Bracket	L04825
89	Seal, Mechanical Shaft	S32692
119A	O-Ring	S13760
119B	O-Ring	S26471
800A	Capscrew, Hex 1/2-13x1-1/2" (8 Req.)	S26914
800B	Screw, Set (2 Req.)	S23958

NOTE: Refer to Supplement A for base configuration and mounting hardware.





Section	AC
Page	110.1
Date	March 4, 2013
Supersedes 01/01/04	

BERKELEY[®] B2-1/2ZQMS-30

Cast Iron Impeller

Threaded Case (NPT), Mechanical Seal Construction

Section	AC
Page	120.1
Date	March 4, 2013
Supersedes	02/01/96

NOTE: Refer to Supplement A for base configuration and mounting hardware.







293 WRIGHT STREET, DELAVAN, WI 53115 WWW.BERKELEYPUMPS.COM PH: 888 237 5353 ORDERS FAX: 800 321 8793
Because we are continuously improving our products and services, Pentair reserves the right to change specifications without prior notice.

BERKELEY® B3TQMS-18

Cast Iron Impeller

Threaded Case (NPT), Mechanical Seal Construction

Section	AC
Page	140.1
Date	March 4, 2013
Supersedes	01/04



Item No.	Part Description	Part Number
2	Impeller	M10451
14	Sleeve, Shaft	M10731
40	Slinger, Water	S03893
71	Bracket	L01600
73	Gasket	S04757
89	Seal, Mechanical Shaft	S32014
119	O-Ring	M10728
800	Capscrew, Hex 3/8-16x1" (4 Req.)	S26826
801	Stud, 1/2-13x1-1/2" (4 Req.)	S24043
802	Nut, Hex 1/2-13 (4 Req.)	S23107
810	Plug, Pipe 1/4 NPT (5 Req.)	S23715

NOTE: Refer to Supplement A for base configuration and mounting hardware.



293 WRIGHT STREET, DELAVAN, WI 53115 WWW.BERKELEYPUMPS.COM PH: 888 237 5353 ORDERS FAX: 800 321 8793
Because we are continuously improving our products and services, Pentair reserves the right to change specifications without prior notice.

BERKELEY[®] B3ZQMS-30 Cast Iron Impeller

Section	AC
Page	150.1
Date	March 4, 2013
Supersedes 02/01/96	

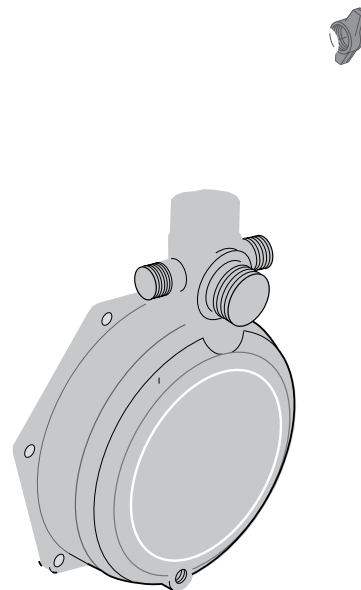


293 WRIGHT STREET, DELAVAN, WI 53115 WWW.BERKELEYPUMPS.COM PH: 888 237 5353 ORDERS FAX: 800 321 8793
Because we are continuously improving our products and services, Pentair reserves the right to change specifications without prior notice.

BERKELEY® 350-3

T, C (PT), M, S, G, S, H

S	C/SP
P	10.1
D	4, 2013
S	01/01/04



Item No.	Part Description	Part Number
1	Case, Volute	H05335
2	Impeller	H05349
5	Diffuser	H05352
71	Bracket	H05351
73A	Gasket, 1" (2 Req.)	M10580
73B	Gasket, 1-1/2"	M10621
73C	Gasket, 2"	M10583
89	Seal, Mechanical Shaft	S20791
119	O-Ring	M10584
227	Handle	L07629
800A	Capscrew, Hex 3/8-16x3-1/2" (2 Req.)	M10981
800B	Capscrew, Hex 3/8-16x2" (4 Req.)	S24901
800C	Capscrew, Hex 5/16-24x2" (4 Req.)	M10587
800D	Capscrew, Hex 1/4-20x1/2"	S23508
802A	Nut, Hex 3/8-16 (8 Req.)	S26456
802B	Nut, Hex 1/4-20	S26452
804A	Washer, Clack 1-1/4"	M10585

NOTE: Refer to Supplement B for roll cage configuration and mounting hardware.



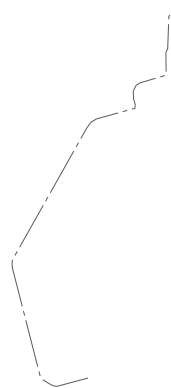


® 350-4.5

Aluminum Impeller

Threaded Case (NPT), Mechanical Seal Construction

Section	AC/SP
Page	20.1
Date	March 4, 2013
Supersedes	01/04



Qty	Description	Part Number
1	Case, Volute	H05335
2	Impeller	H05349
5	Diffuser	H05352
71	Bracket	H05351
73A	Gasket, 1" (2 Req.)	M10580
73B	Gasket, 1-1/2"	M10621
73C	Gasket, 2"	M10583
89	Seal, Mechanical Shaft	S20791
119	O-Ring	M10584
227	Handle	L07629
800A	Capscrew, Hex 3/8-16x3-1/2" (2 Req.)	M10981
800B	Capscrew, Hex 3/8-16x2" (4 Req.)	S24901
800C	Capscrew, Hex 5/16-24x2" (4 Req.)	M10587
800D	Capscrew, Hex 1/4-20x1/2"	S23508
802A	Nut, Hex 3/8-16 (8 Req.)	S26456
802B	Nut, Hex 1/4-20	S26452
804A	Washer, Clack 1-1/4"	M10585

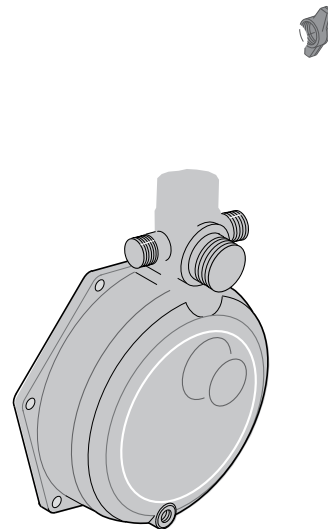
Ⓜ E: Refer to Ⓜ for roll cage configuration and mounting hardware.



BERKELEY[®] 350-4 Aluminum Impeller

Threaded Case (NPT), Mechanical Seal Construction

Section	AC/SP
Page	20.2
Date	March 4, 2013
Supersedes	04/01/96



Item No.	Part Description	Part Number
1	Case, Volute	H05335
2	Impeller	H05349
5	Diffuser	H05352
71	Bracket	H05351
73A	Gasket, 1" (2 Req.)	M10580
73B	Gasket, 1-1/2"	M10621
73C	Gasket, 2"	M10583
89	Seal, Mechanical Shaft	S20791
119	O-Ring	M10584
227	Handle	L07629
800A	Capscrew, Hex 3/8-16x3-1/2" (2 Req.)	M10981
800B	Capscrew, Hex 3/8-16x2" (4 Req.)	S24901
800C	Capscrew, Hex 5/16-24x2" (4 Req.)	M10587
800D	Capscrew, Hex 1/4-20x1/2"	S23508
802A	Nut, Hex 3/8-16 (8 Req.)	S26456
802B	Nut, Hex 1/4-20	S26452
804A	Washer, Clack 1-1/4"	M10585

NOTE: Refer to Supplement B for roll cage configuration and mounting hardware.



Section	<i>AC/SP</i>



BERKELEY[®] 550-5.5 Cast Iron Impeller

Threaded Case (NPT), Mechanical Seal Construction

Section	AC/SP
Page	40.1
Date	March 4, 2013
Supersedes	04/01/96



Item No.	Part Description	Part Number
1	Case, Volute	H05335
2	Impeller	H05350
5	Diffuser	H05352
71	Bracket	H05351
73A	Gasket, 1" (2 Req.)	M10580
73B	Gasket, 1-1/2"	M10621
73C	Gasket, 2"	M10583
89	Seal, Mechanical Shaft	S20791
119	O-Ring	M10584
227	Handle	L07629
800A	Capscrew, Hex 3/8-16x3-1/2" (2 Req.)	M10981
800B	Capscrew, Hex 3/8-16x2" (4 Req.)	S24901
800C	Capscrew, Hex 5/16-24x2" (4 Req.)	M10587
800D	Capscrew, Hex 1/4-20x1/2"	S23508
802A	Nut, Hex 3/8-16 (8 Req.)	S26456
802B	Nut, Hex 1/4-20	S26452
804A	Washer, Clack 1-1/4"	M10585

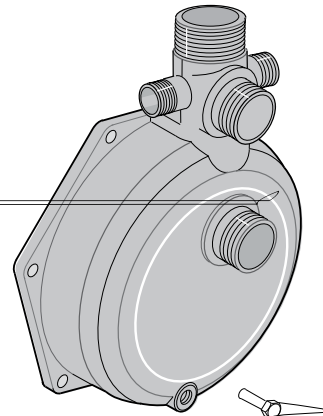
NOTE: Refer to Supplement B for roll cage configuration and mounting hardware.



BERKELEY[®] 550-5.5 Cast Iron Impeller

Threaded Case (NPT), Mechanical Seal Construction

Section	AC/SP
Page	40.2
Date	March 4, 2013
Supersedes	07/01/96



Item No.	Part Description	Part Number
1	Case, Volute	H05335
2	Impeller	H05350
5	Diffuser	H05352
71	Bracket	H05351
73A	Gasket, 1" (2 Req.)	M10580
73B	Gasket, 1-1/2"	M10621
73C	Gasket, 2"	M10583
89	Seal, Mechanical Shaft	S20791
119	O-Ring	M10584
227	Handle	L07629
800A	Capscrew, Hex 3/8-16x3-1/2" (2 Req.)	M10981
800B	Capscrew, Hex 3/8-16x2" (4 Req.)	S24901
800C	Capscrew, Hex 5/16-24x2" (4 Req.)	M10587
800D	Capscrew, Hex 1/4-20x1/2"	S23508
802A	Nut, Hex 3/8-16 (8 Req.)	S26456
802B	Nut, Hex 1/4-20	S26452
804A	Washer, Clack 1-1/4"	M10585

NOTE: Refer to Supplement B for roll cage configuration and mounting hardware.



BERKELEY[®] 2XQKLS-3

Section	AC/SP
Page	50.1
Date	March 4, 2013
Supersedes 04/01/96	



BERKELEY® B2XQKLS-4.5

Cast Iron Impeller

Threaded Case (NPT), Mechanical Seal Construction

Section	AC/SP
Page	60.1
Date	March 4, 2013
Supersedes	01/04

Item No.	Part Description	Part Number
1	Case, Volute	H02434
2	Impeller	S14677
9	Cover, Suction	M05420
14	Sleeve, Shaft	S14689
40	Slinger, Water	S11144
51	Seal, Oil	S13862
67		



BERKELEY® B2XQKHS-6

Cast Iron Impeller

Threaded Case (NPT), Mechanical Seal Construction

Section	AC/SP
Page	70.1
Date	March 4, 2013
Supersedes	01/04

Table I

B/M No.	HP	Engine Mfr.	Engine Part No.	Mounting Type & Part No.
B71908	6	Robin	H05330	Roll Cage – H05445

Item No.	Part Description	Part Number
1	Case, Volute	H02434
2	Impeller	S14750
9	Cover, Suction	M05420
14	Sleeve, Shaft	S14689
40	Slinger, Water	S11144
51	Seal, Oil	S13862
67	Shim (.015 Thick) (As Required)	S05067
71	Bracket	M05434
73	Gasket, Case	S04728
89	Seal, Mechanical Shaft	S05646
R	Handle	M06914
800A	Capscrew, Hex 5/16-18x7/8" (6 Req.)	S26783
800B	Capscrew, Hex 1/4-20x3/8"	S23117
800C	Capscrew, Hex 5/16-24x3/4" (4 Req.)	S23168

NOTE: Refer to Supplement B for base and roll cage configuration and mounting hardware.



BERKELEY® B2XQKHS-5.5

Cast Iron Impeller

Threaded Case (NPT), Mechanical Seal Construction

Section	AC/SP
Page	80.1
Date	March 4, 2013
Supersedes	07/01/96



Item No.	Part Description	Part Number
1	Case, Volute	H02434
2	Impeller	S14750
9	Cover, Suction	M05420
14	Sleeve, Shaft	S14689
40	Slinger, Water	S11144
51	Seal, Oil	S13862
67	Shim (.015 Thick) (As Required)	S05067
71	Bracket	M05434
73	Gasket, Case	S04728
89	Seal, Mechanical Shaft	S05646
R	Handle	M06914
800A	Capscrew, Hex 5/16-18x7/8" (6 Req.)	S26783
800B	Capscrew, Hex 1/4-20x3/8"	S23117
800C	Capscrew, Hex 5/16-24x3/4" (4 Req.)	S23168

Item No.	Part Description	Part Number
801	Stud, 3/8-16x1-1/4" (4 Req.)	S23994
802A	Nut, Hex 3/8-16 (4 Req.)	S23103
802B	Nut, Hex 1/4-20	S23100
804A	Weight, Clack	S14673
804B	Washer, Clack	S14676
810A	Plug, Pipe 1/4" NPT	S14692
810B	Plug, Pipe 1" NPT	S23693
835	Clack, Rubber	M05424

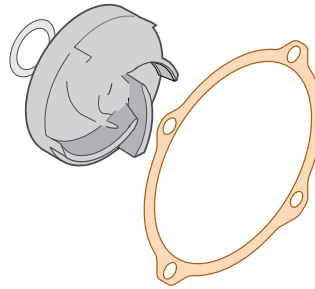
NOTE: Refer to Supplement B for base and roll cage configuration and mounting hardware.



BERKELEY® B3TQKLS-9 Cast Iron Impeller

Threaded Case (NPT), Mechanical Seal Construction

Section	AC/SP
Page	100.1
Date	March 4, 2013
Supersedes	01/04



BERKELEY® B3TQKLS-11

Cast Iron Impeller

Threaded Case (NPT), Mechanical Seal Construction

Section	AC/SP
Page	110.1
Date	March 4, 2013
Supersedes	01/04

Table I

B/M No.	HP	Engine Mfr.	Engine Part No.	Mounting Type & Part No.
B72602	11	Robin	H05504	Base – H05766

Item No.	Part Description	Part Number
1	Case, Volute	H03741
2	Impeller	M10732
9	Cover, Suction	L05748
14	Sleeve, Shaft	M10731
40	Slinger, Water	S03893
67	Shim (.015 Thick) (As Required)	S15335
71	Bracket	L01600
73	Gasket, Case (.031 Thick)	S04757
73	Gasket, Case (.051 Thick)	S15049
89	Seal, Mechanical Shaft	S32014
119	O-Ring	M10728
800A	Capscrew, Hex 3/8-16x1-1/4" (7 Req.)	S26828
800B	Capscrew, Hex 3/8-16x3/4"	S26824
801A	Stud, 1/2-13x1-1/2" (4 Req.)	S24043

Item No.	Part Description	Part Number
801B	Stud, 3/8-16x1-1/2" (4 Req.)	S23995
802A	Nut, Hex 1/2-13 (4 Req.)	S23107
802B	Nut, Hex 3/8-16 (5 Req.)	S23103
804A	Weight, Clack	S15325
804B	Washer, Clack	S14843
810A	Plug, 0 T.958 0 Td [(Plug,)0.6 (0 T.958 0 Td [(Plug,)0.6 (0 T.9	

NOTE: Refer to Supplement A for base configuration and mounting hardware.

Nu0Pe96 2 -89.c75 0Nu0P4827-7.348.c7-7.111(Ncm



BERKELEY® B3TQKLS-10 Silicon Bronze Impeller

Threaded Case (NPT), Mechanical Seal Construction

Section	AC/SP
Page	110.4
Date	March 4, 2013
Supersedes	01/04

Item No.	Part Description	Part Number
1	Case, Volute	H03741
2	Impeller	M10835
9	Cover, Suction	L05748
14	Sleeve, Shaft	M10731
40	Slinger, Water	S03893
67	Shim (.015 Thick) (As Required)	S15335
71	Bracket	L01600
73	Gasket, Case (.031 Thick)	S04757
73	Gasket, Case (.051 Thick)	S15049
S15049S	17.50Impeller	



BERKELEY® B3TQKHS-14

Cast Iron Impeller

Threaded Case (NPT), Mechanical Seal Construction

Section	AC/SP
Page	120.1
Date	March 4, 2013
Supersedes	01/04

Table I

B/M No.	HP			

Item No.	Part Description	Part Number
1	Case, Volute	H03741
2	Impeller	M10497
9	Cover, Suction	L05748
14	Sleeve, Shaft	M10731
40	Slinger, Water	S03893
67	Shim (.015 Thick) (As Required)	S15335
71	Bracket	H05263
73	Gasket, Case (.031 Thick)	S04757
73	Gasket, Case (.051 Thick)	S15049
89	Seal, Mechanical Shaft	S32014
119	O-Ring	M10728
800A	Capscrew, Hex 3/8-16x1-1/4" (7 Req.)	S26828
800B	Capscrew, Hex 3/8-16x3/4"	S26824
801A	Stud, 1/2-13x1-1/2" (4 Req.)	S24043

Item No.	Part Description	Part Number
801B	Stud, 3/8-16x1-1/2" (4 Req.)	S23995
802A	Nut, Hex 1/2-13 (4 Req.)	S23107
802B	Nut, Hex 3/8-16 (5 Req.)	S23103
804A	Weight, Clack	S15325
804B	Washer, Clack	S14843
810A	Plug, Pipe 1/4" NPT	S23715
810B	Plug, Pipe 1-1/4" NPT	S23694
835	Clack, Rubber	L05749

NOTE: Refer to Supplement A for base configuration and mounting hardware.



BERKELEY® B4TQKLS-18 Cast Iron Impeller

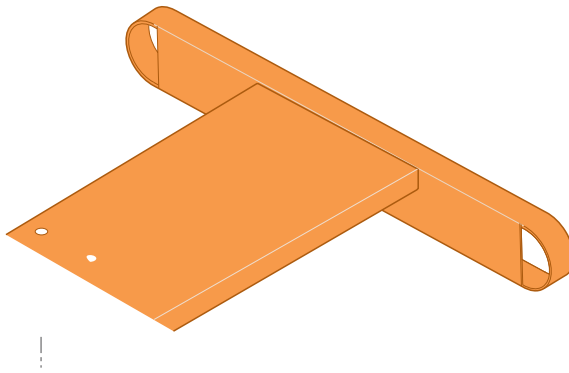
Section	AC/SP
Page	130.1
Date	March 4, 2013
Supersedes 01/01/04	



293 WRIGHT STREET, DELAVAN, WI 53115 WWW.BERKELEYPUMPS.COM PH: 888 237 5353 ORDERS FAX: 800 321 8793
Because we are continuously improving our products and services, Pentair reserves the right to change specifications without prior notice.

BERKELEY®

Section	AC
Supplement	A
Date	March 4, 2013
Supersedes 07/01/11	



Item No.	Part Description	Part Number
800	Capscrew, Hex 5/16-18x1-3/8 (4 Req.)	S26790
802	Nut, Hex 5/16-18 (4 Req.)	S23671
805	Spring Washer, 5/16 (4 Req.)	S23075

Item No.	Part Description	Part Number
800	Capscrew, Hex 3/8-16x1-1/2 (4 Req.)	S26830
802	Nut, Hex 3/8-16 (4 Req.)	S23103
805	Spring Washer, 3/8 (4 Req.)	S23076

Item No.	Part Description	Part Number
800	Capscrew, Hex 1/2-13x1 (4 Req.)	S26912
802	Nut, Hex 1/2-13 (4 Req.)	S23107
805	Spring Washer, 1/2 (4 Req.)	S23091





293 WRIGHT STREET, DELAVAN, WI 53115 WWW.WERKELEYPUMPS.COM PH: 888 237 5353 ORDERS FAX: 800 321 8793
Because we are continuously improving our products and services, Pentair reserves the right to change specifications without prior notice.

BERKELEY[®]

Replacement Air Cooled Engines

Section	AC
Supplement	C
Date	March 4, 2013
Supersedes 01/01/04	

Model	HP	Engine Manufacturer	Manufacturer's Type No.	Starter	Battery Charger Generator	Fuel Tank	Crankshaft Extension	Catalog Number
EX13	4.5	Robin	Not Applicable	Rewind	Not Applicable	Included 0.70 Gal.	5/8"-18 Threaded	H05331
EX17	6	Robin	Not Applicable	Rewind	Not Applicable	Included 0.95 Gal.	5/8"-18 Threaded	H05330
EX27	9	Robin	Not Applicable	Rewind	Not Applicable	Included 1.59 Gal.	1"-14 Threaded	S30691
EH34	11	Robin	Not Applicable	12 Volt Electric	Included 10 Amp	Included 1.59 Gal.	1"-14 Threaded	H05504
EH41	13.5	Robin	Not Applicable	12 Volt Electric	Included 16 Amp	Included 1.85 Gal.	1"-14 Threaded	H05167
V-Twin	18	Briggs & Stratton Vanguard	Not Applicable	12 Volt Electric	Included 16 Amp	Not Applicable	1"-14 Threaded	H05159





293 WRIGHT STREET, DELAVAN, WI 53115 WWW.KELEYPUMPS.COM PH: 888 237 5353 ORDERS FAX: 800 321 8793
Because we are continuously improving our products and services, Pentair reserves the right to change specifications without prior notice.